

ARMSTRONG METALWORKS™ BAFFLES

- A multitude of design options using standard or custom profiles, finishes, modules and configurations, limited only by imagination
- Attractive modular ceiling system that screens the open plenum
- Fast and easy installation
- Durable extruded aluminum Beam profiles
- Extensive range of color options, including Wood Effects
- Simple "end to end" Beam connection or terminate with standard End Caps

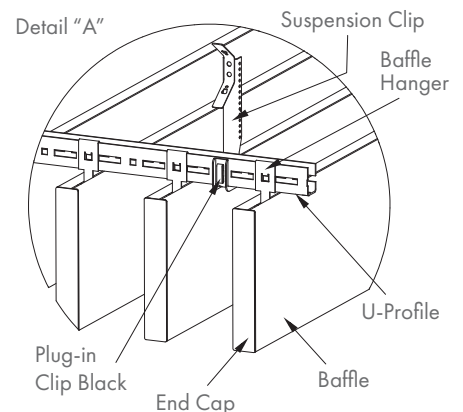
Panel Options		Modular Beam: Linear Profile for Exposed Structures	
Edge details			
Material	Extruded Aluminium		
Patterns	Non Perforated		
Dimensions (mm)	25 x 100 25 x 150 Custom profile available. Minimum Order Applies.	<p>From left: Linear Rectangular, Deep Rectangular, Narrow, Arrow, Triangle, Blade, Tear Drop, Half Tube, Tube</p>	
Suspension System	U-Profile System with Baffle Hanger Hanger system highly customized to suit unique design plan		
Weight	100mm Baffles @100mm centres: 10.20 kgs/m ² 150mm Baffles @100mm centres: 19.80 kgs/m ²		
Colour	Polyester Powder Coated – Pearl White		Wood Effects Available by Request
Fire reaction	CLASS 0/1 based on BS 476 Part 6 & 7		
Handling	Fully Demountable. Inherent void between baffle allow plenum access.		
Cleanability			

Suspension and Accessories	
Item Number	Description
300100B	U-Profile Channel
300109	U-Profile Connector (3750mm)
UNIMBH	Standard Baffle Hanger
BPHMC	H-Bar Connector (Baffle connection)
UNITRCB	Suspension Clip for M6 Threaded Rod
300120B	Plug-in Clip Black
300140	Wall Anchor
-	End Cap (White / Black)

All sizes are nominal. Product availability may vary.

Typical Schematic

Baffle Installation with U-Profile Suspension System



Contact

For further details, please contact your local representative or email asia.support@knaufarmstrong.com